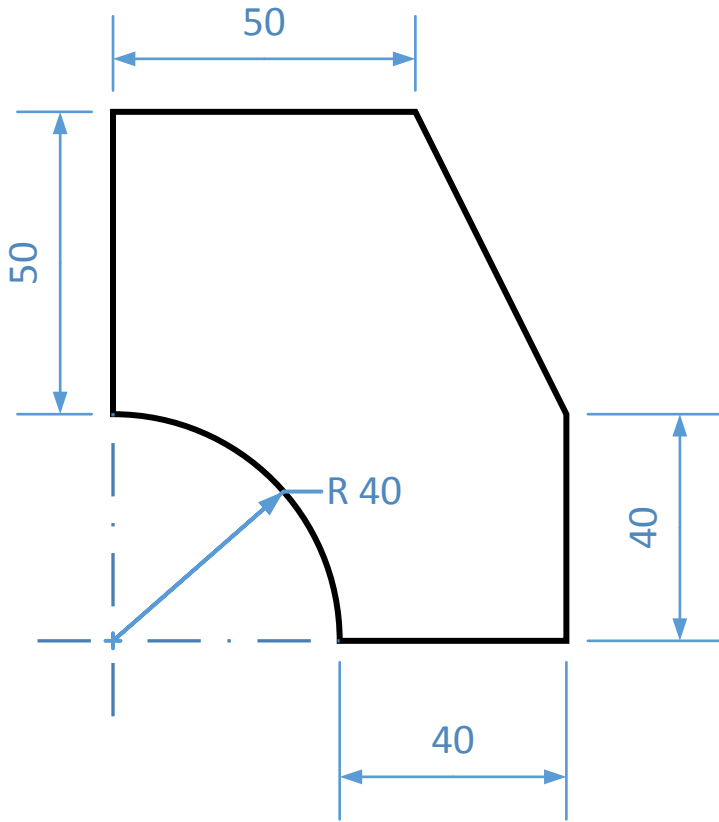


What is the perimeter and the area of this shape?



All dimensions given in mm. Do not scale.